

Flanged Connector Clamps

Aluminum, with 4 Holes

SPECIFICATION

Identification No.

No. 2: With stainless steel socket cap screw DIN 912

Aluminum

Powder coated

Black, RAL 9005, textured finish **SW**

Plain, matte shot-blasted **BL**

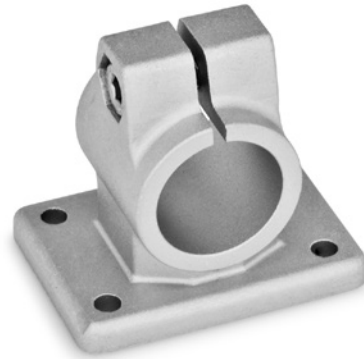
Socket cap screw DIN 912

Stainless steel AISI 304

Hex nuts DIN 985

Stainless steel AISI 304

Self-locking via polyamide ring



INFORMATION

The clamping bore of flanged connector clamps GN 146 is mechanically machined and designed for construction tubes GN 990 (see page 1902) or DIN 2391, DIN 2395 and DIN 2462.

At the screw location **z**, the socket cap screw reduces the bore cross-section for clamping.

For clamping without tools, the socket cap screw can be replaced by an adjustable hand lever GN 911 (see page 1874) listed in the table as accessory.

ACCESSORY

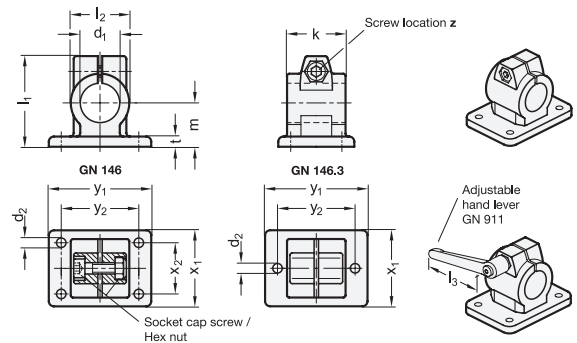
- Adjustable Hand Levers GN 911 (see page 1874)

ON REQUEST

- With inch bores

TECHNICAL INFORMATION

- Stainless Steel Characteristics (see page A26)



*Complete with

SW RAL9005 **BL** Plain

GN 146

Description	d ₁ Bore	k	d ₂	l ₁	l ₂	m	t	x ₁	x ₂	y ₁	y ₂	z Screw location	Accessory Recom. hand lever GN 911 for z l ₃	⚖
GN 146-B20-40-2-*	B 20	40	6.5	62	40	30	7	52	35	70	53	M8-25	-	194
GN 146-B25-40-2-*	B 25	40	6.5	62	40	30	7	52	35	70	53	M8-25	63 78	179
GN 146-B30-40-2-*	B 30	40	6.5	62	40	30	7	52	35	70	53	M8-25	63 78	160
GN 146-B30-56-2-*	B 30	56	8.5	83	56	42	10	78	52	108	82	M10-35	-	500
GN 146-B32-56-2-*	B 32	56	8.5	83	56	42	10	78	52	108	82	M10-35	-	476
GN 146-B35-56-2-*	B 35	56	8.5	83	56	42	10	78	52	108	82	M10-35	92	460
GN 146-B40-56-2-*	B 40	56	8.5	83	56	42	10	78	52	108	82	M10-35	78 92	435
GN 146-B40-65-2-*	B 40	65	11	95	65	50	14	92	62	128	98	M10-50	-	800
GN 146-B42-65-2-*	B 42	65	11	95	65	50	14	92	62	128	98	M10-50	-	760
GN 146-B45-65-2-*	B 45	65	11	95	65	50	14	92	62	128	98	M10-50	78 92	736
GN 146-B48-65-2-*	B 48	65	11	95	65	50	14	92	62	128	98	M10-50	78 92	694
GN 146-B50-65-2-*	B 50	65	11	95	65	50	14	92	62	128	98	M10-50	78 92	650
GN 146-B50-80-2-*	B 50	80	11	112	80	60	14	110	74	154	118	M10-50	-	1320
GN 146-B60-80-2-*	B 60	80	11	112	80	60	14	110	74	154	118	M10-50	78 92	1120

Weight BL